

# RIF55 Installation Instructions

**1.** To accommodate correct speaker orientation, the RIF55 can be installed horizontally or vertically. For vertical installation, the snap on wings (a) must be used (see Fig. 1). In horizontal installation, if cross braces are available above & below the speaker location, the snap on wings (a) can be used (see Fig. 2), or the rough-in-frame tabs (see (b) in Fig. 4) can be directly nailed onto vertical wall studs (see Fig. 3).

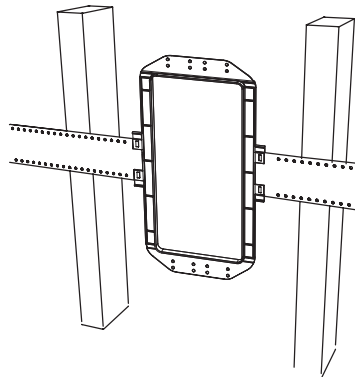


Fig. 1

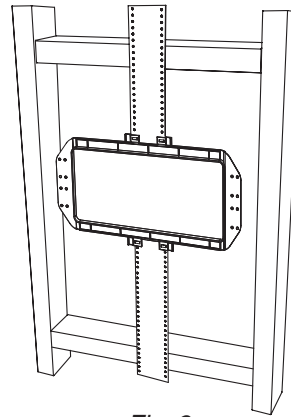


Fig. 2

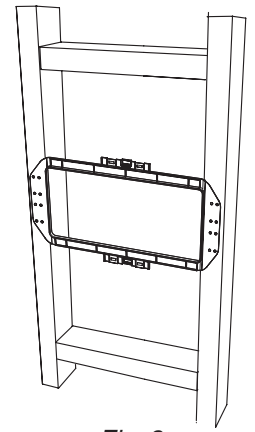


Fig. 3

**2.** When using installation methods shown in Fig. 1 or Fig. 2, snap the two flat wing sections (a) onto the rough-in-frame. Note: Use the edge of the wing with the set of two large rectangular openings (see (e) in Fig. 4).

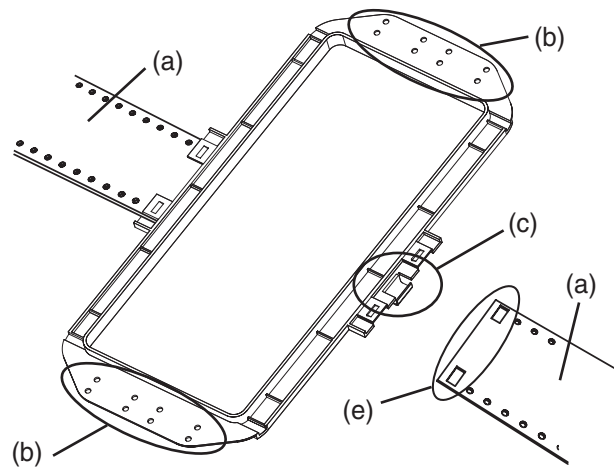


Fig. 4

**3.** Position the rough-in-frame assembly as required between the wall studs or cross braces and nail into place. Be sure that the nail heads are set as flush as possible against the snap-on wings or the rough-in-frame tabs (see (b) in Fig. 4). Note: Wire tabs (see (c) in Fig. 4 or Fig. 5) go towards the back (inside of the wall).

**4.** See Fig. 5. Pre-routed wire can be held in place using the molded wire tabs (c) on the back side of the frame unit. Be sure that no wire remains exposed on the front (wall board) side of the assembly. Please note that in order to facilitate correct wall board installation, the raised inner lip of the rough-in-frame (d) serves as a physical barrier that the wall board edge should rest against. After wallboard installation is complete, the speaker wire can be run through the opening in the wallboard and attached to the speaker system as detailed in the owner's manual.

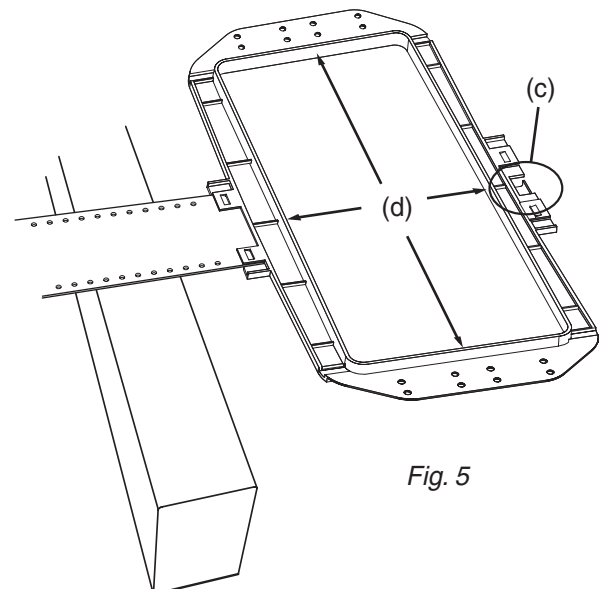


Fig. 5